

MD Connectors

Miniature 38999 Plug & Receptacle

Cinch's MD Connectors deliver highly reliable performance equal to MIL-DTL-38999. Key Markets are military, aerospace, medical and down-hole applications. The MD is offered at a reduced size and weight.



cinch
CONNECTIVITY SOLUTIONS
a bel group

+1 630.705.6000
inquiry@us.cinch.com
cinch.com

MD Connectors

Products

- Miniature 38999 Plug with Solder or Crimp Contacts
- Miniature 38999 Jam Nut or Box Mount Receptacle with Solder, Crimp or PC Tail Contacts
- Standard or Specialty Platings Available

Features

- Full Performance in Extreme Environments
- Available in Crimp, Solder and PC Tail Terminations
- Shell Styles Include Jam Nut Receptacle, Square Flange Receptacle and In-Line Plugs
- Available in 6, 7, 8, 9, 10, 13 Shell Sizes
- Contact Arrangements Range from 1 to 130 Contacts
- Standard Interface, Intermateable with Amphenol 2M Series and Glenair's Mighty Mouse® 801 Series



Plug Dimensions				
Shell Size	A Style 16 Dia.	A Style 26 Dia.	B Thread	C Dia.
9	.81 (20.57)	.92 (23.37)	.5625-.05P -1L-DS-2B	.500 (12.70)

Receptacle Dimensions									
Shell Size	D Dia.	E Flat	F Flat	K Thread	M Dia.	P Dia.	S Dia.	T Dia.	Y Flat
9	.81 (20.57)								
	.5625-24 UNEF-2A	.790 (20.07)	.0596 (15.14)	.5625-.05P -1L-2A	.551 (14.0)	.635 (13.13)	.020 (.508)	.446 (11.33)	.600 (15.24)



		MD Contacts, Tools and Sealing Plugs				MD Crimp Tools	
Contact Size	Wire Size	Pin Contacts	Contacts	Sealing Plugs	Insertion Removal Tools	Crimp Tool	Positioner
	Range	Part #	Part #	Part #	Part #	Mil Spec Part #	Mil Spec or Daniels Part #
23	#22-#28	A809-1	A809-3	None	None	M22520/1-01	K1461
23	#26-#30	A809-2	A809-4	None	None	M22520/1-01	K1461
20	#20-#24	M39029/58-363	M39029/57-357			M22520/2-01	M22520/1-04
16	#16-#20	M39029/58-364	M39029/57-358			M22520/1-01	M22520/1-04
12	#12-#14	M39029/58-365	M39029/57-359			M22520/1-01	M22520/1-04

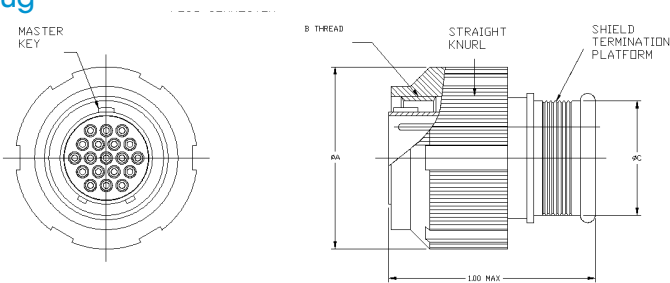
Cross Reference

The part number construction of Cinch's MD series, always starts with the prefix MD. The syntax of the part number is the same as for the Mighty Mouse® and 2M series, and differs only by the character used to describe shell material and finish.

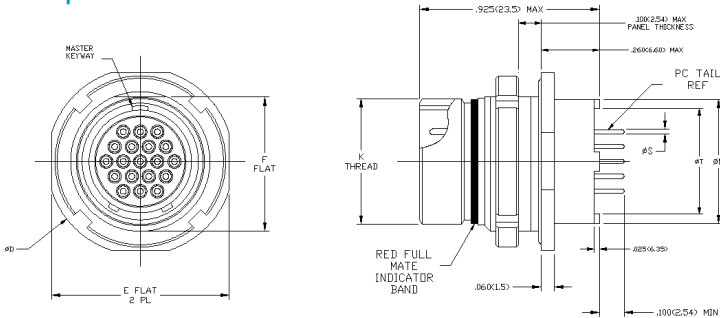


Cinch MD	Glenair Mighty Mouse®	Amphenol 2M
MD801-xxx-yyzq-qvw	801-xxx-yyzq-qvw	2M801-xxx-yyzq-qvw

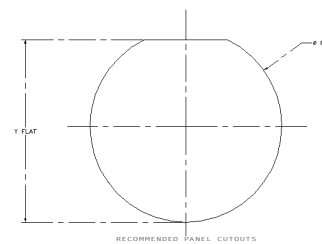
Plug



Receptacle



Cutout



How to Order MD Connectors

Series MD801 - Dual start ACME Thread - Plug and Receptacles with Crimp Contacts

Main Series	MD801	007	16	NF	6-7	P	A	K123
MD801 - Dual start ACME thread								
Series								
-007 - Plug with banding platform -008 - Plug with rear accessory thread -009 - Receptacle with banding platform -010 - Receptacle with rear accessory thread								
Shell Style								
-16 - Plug with anti decoupling spring -26 - Plug with ratchet mechanism -01 - Receptacle, in-line -02 - Receptacle, square flange -07 - Receptacle, jam nut								
Shell Material/Finish								
NF - Aluminum / Cadmium with olive drab chromate C - Aluminum / Black hard anodize, RoHS Z1 - Stainless Steel / Passivated, RoHS ZNU - Aluminum / Black Zinc Nickel over Electroless Nickel MT - Aluminum / Nickel PTFE M - Aluminum / Electroless Nickel, RoHS								
Shell Size - Insert Arrangement								
See Table 1								
Contact Type								
P - Pin, crimp, provided separately S - Socket, crimp, provided separately								
Shell Keying								
See table 2								
Modification code								
Used for any special modification requested								

Series MD801 - Dual start ACME Thread - Receptacles with PC Tail or Solder Cup Contacts

Main Series	MD801	011	07	NF	6-7	P	A	K123
MD801 - Dual start ACME thread								
Series								
-011 - Receptacle for PC tail or solder cup contacts								
Shell Style								
-02 - Receptacle, square flange -07 - Receptacle, jam nut								
Shell Material/Finish								
NF - Aluminum / Cadmium with olive drab chromate C - Aluminum / Black hard anodize, RoHS Z1 - Stainless Steel / Passivated, RoHS ZNU - Aluminum / Black Zinc Nickel over Electroless Nickel MT - Aluminum / Nickel PTFE M - Aluminum / Electroless Nickel, RoHS								
Shell Size - Insert Arrangement								
See Table 3								
Contact Type								
P - Pin, PC tail S - Socket, PC tail E - Pin, Solder cup F - Socket, Solder cup								
Shell Keying								
See table 2								
Modification code								
Used for any special modification requested								

Table 1 - Shell Size-Insert Crimp

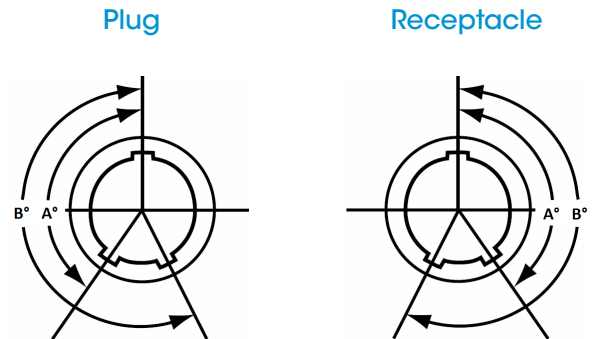
Size-Insert	Number of Contacts			
	#23	#20	#16	#12
Contact factory for available insert arrangements				

Table 3 - Shell Size-Insert

Size-Insert	Number of contacts			
	#23	#20	#16	#12
Contact factory for available insert arrangements				

Table 2 - Shell Keying

	A°	B°
A	150°	210°
B	75°	210°
C	95°	230°
D	140°	275°
E	75°	275°
F	95°	210°



Cinch Connectors Inc.
1700 Finley Road
Lombard, IL 60148 USA

+1 630.705.6000
inquiry@us.cinch.com
cinch.com